

BOX-PWD

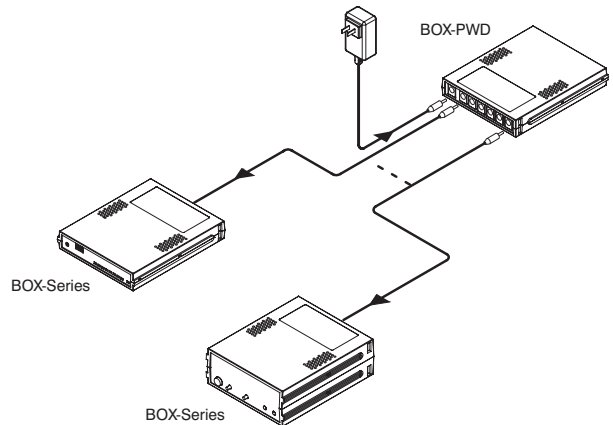
Power Distributor



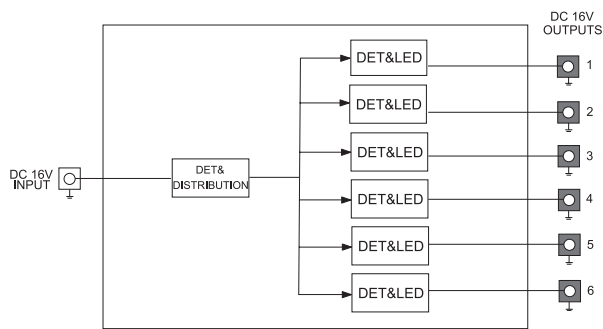
FEATURES

- One 16 V DC input
- Six 16 V DC outputs
- Each output supports 500 mA over-current protection
- Front panel LEDs indicating power supply status

APPLICATION DIAGRAM



BLOCK DIAGRAM



SPECIFICATIONS

Specifications are subject to change without notice.

INPUT

Connector.....Power supply terminal (x1)
Input.....1-channel DC 16 V

OUTPUT

Connector.....Power supply terminal (x6)
Output.....6-channel DC 16 V

MECHANICAL

Width.....3.86 in. (98 mm)

Height.....0.79 in. (20 mm)
Depth.....4.72 in. (120 mm)

ELECTRICAL

Maximum Output Power.....40 W

ENVIRONMENTAL

Operating Temperature.....32° ~ 104° F (0° ~ 40° C)
Relative Humidity.....10% ~ 90%